



No. 302 /AUT 41 1. Verlängerung

CERTIFICATE OF JUMPING HILL
CERTIFICAT DE CONFORMITE
SCHANZENPROFILBESTÄTIGUNG

Date of issue 14.07.2006
Établi le
Ausgestellt am

Valid till 31.12.2011
Valable jusqu' au
Gültig bis

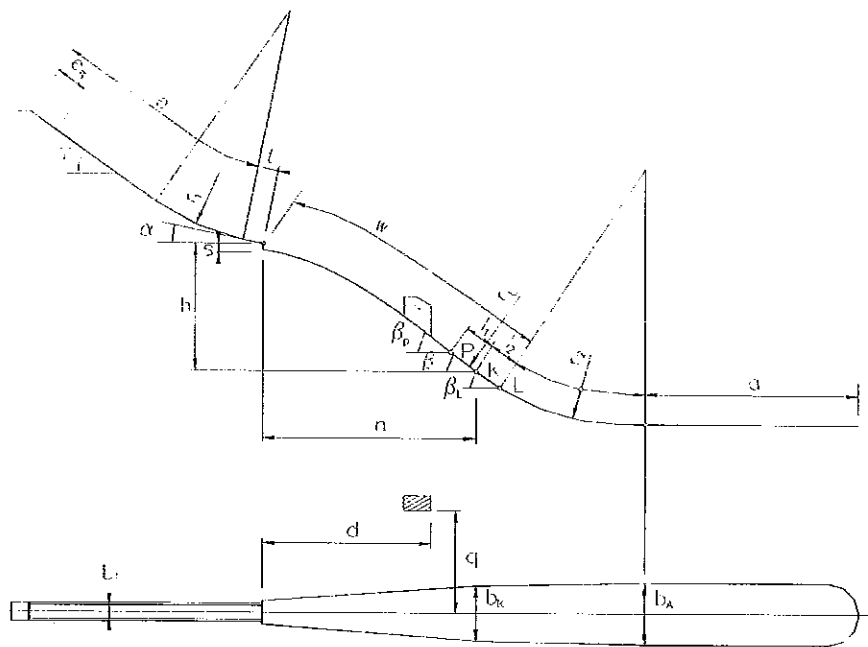
Place: Bischofshofen

Name: Laideregg

HS = 78 m

h/n 0.530

Vo = 21.8m/s



$e = 64.90$ m
 $e_s = 11.60$ m
 $t = 5.60$ m
 $\gamma = 35^\circ$
 $\alpha = 10.0^\circ$
 $r_1 = 65.00$ m
 $h = 30.29$ m
 $n = 57.15$ m
 $s = 1.65$ m

$l_1 = 7.68$ m
 $l_2 = 13.44$ m
 $a = 75.00$ m
 $\beta_p = 36.5^\circ$
 $\beta = 34.5^\circ$
 $\beta_L = 31^\circ$
 $r_L = 220.00$ m
 $r_2 = 92.35$ m

$P = 57.32$ m
 $K = 65.00$ m
 $L = 78.44$ m
 $b_1 = 2.40$ m
 $b_K = 13.00$ m
 $b_A = 14.00$ m
 $d = 35.00$ m
 $q = 13.00$ m

JUMPING HILL APPROVED BY THE FIS
TREPLIN HOMOLOGUE PAR LA FIS
DURCH DIE FIS GENEHMIGTE SPRUNGSCHANZE

SUB-COMMITTEE FOR JUMPING HILLS

CHAIRMAN:

Kamuk