

No. 302 /AUT 41 Mat **3rd prolongation**

CERTIFICATE OF PLASTIC HILL CERTIFICAT POUR TREPLIN EN PLASTIQUE ZERTIFIKAT FÜR MATTEN - SCHANZEN

Date of issue Établi le Ausgestellt am	21.10.2018	Valid till Valable jusqu' au Gültig bis	20.10.2023
Place: HS	Bischofshofen 78	Name: h/n =	Laideregg Schanze 0,530
Year of covering Verlegungsjahr	2002 Lindgren	Mat-element dimensions Mattenelement Größe	100 x 50 cm
Manner of fastening Befestigungsart	plastic hooks	Material	polypropylen

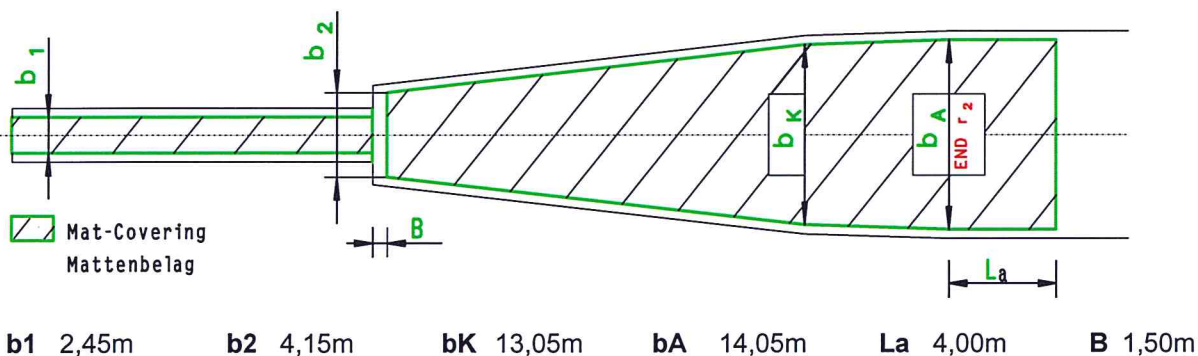
Mat overlap of the seam 17,00 cm/30,00cm
Überdeckungslänge des Mattenbundes

Sub construction / Unterkonstruktion concrete / dampmats 20mm / net

Material of inrun track / Spurmateriale Everslide Fibertrack - Lindgren

Distance between both center of tracks / Abstand der beiden Spur-Mittelachsen 30,5 cm

Width of track / Spurbreite 13,5 cm Depth of track / Spurtiefe 2,0 cm



Remarks / Bemerkungen

1. inspection by Marko Mlakar (5th July 2017)
2. the remarks of the inspection-report must be observed and fulfilled for the validity of certification.
3. for fulfilling the (FIS-ICR) standards of the jumpinghill, the owner is responsible during training and competition.
4. the area B in front of the take off table must be covered with soft damp mats during training and competition

JUMPING HILL APPROVED BY THE FIS
TREPLIN HOMOLOGUE PAR LA FIS
DURCH DIE FIS GENEHMIGTE SPRUNGSCHANZE

SUB-COMMITTEE FOR JUMPING HILLS
CHAIRMAN:



Hans Martin Renn

No.

302 /AUT 41

3rd prolongation

CERTIFICATE OF JUMPING HILL
CERTIFICAT DE CONFORMITE
SCHANZENPROFILBESTÄTIGUNG

Date of issue 30.11.2018
 Établi le
 Ausgestellt am

Valid till 30.11.2023
 Valable jusq` au
 Gültig bis

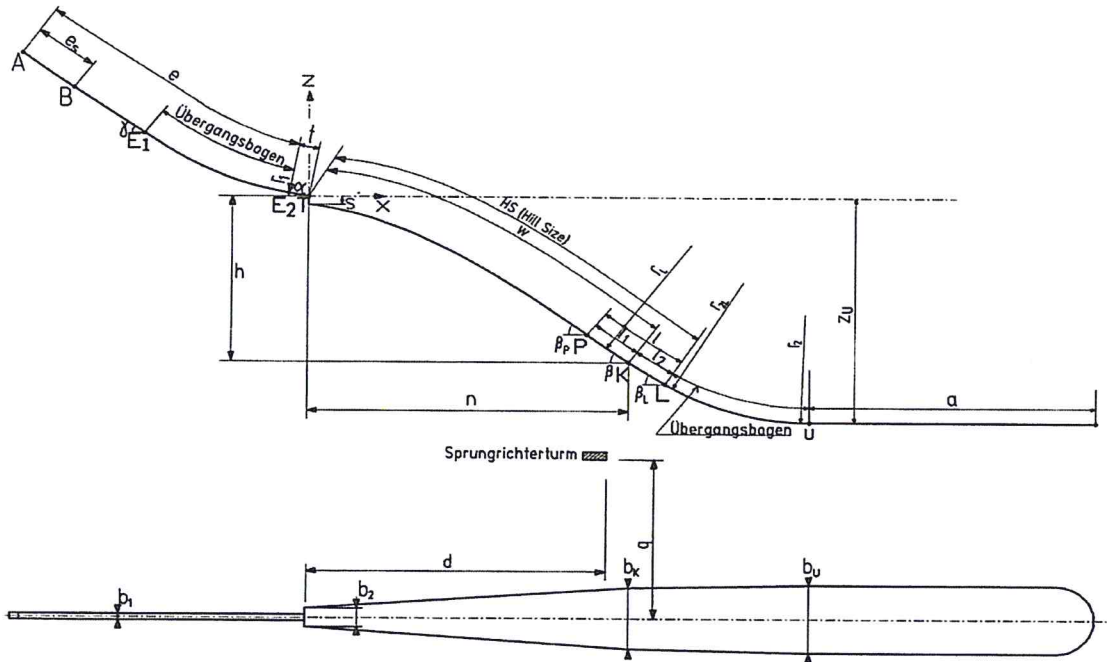
Place: Bischofshofen

Name: Laideregg

HS = 78 m

h/n 0,530

Vo = 21,80 m/s



e = 64.90 m	l ₁ = 7.68 m	P = 57.32 m
e _s = 11.60 m 23 gates (à 28/40cm)	l ₂ = 13.44 m	K = 65.00 m
t = 5.60 m	a = 76.6 m	L = 78.44 m
γ = 35 °	β _p = 35.3 °	b ₁ = 2.45 m
α = 9.5 °	β = 34 °	b _K = 13.50 m
r ₁ = 65.00	β _L = 31.7 °	b _U = 14.30 m
h = 30.29 m	r _L = 220.00 m	d = 40 m
n = 57.15 m	r ₂ = 92.35 m	q = 10.8 m
s = 1.65 m		

Remarks / Bemerkungen

- inspection by Marko Mlakar (5th July 2017)
- the remarks of the inspection-report must be observed and fulfilled for the validity of certification.
- for fulfilling the (FIS-ICR) standards of the jumpinghill, the owner is responsible during training and competition.
- the area B in front of the take off table must be covered with soft damp mats during training and competition

JUMPING HILL APPROVED BY THE FIS
 TREMPLIN HOMOLOGUE PAR LA FIS
 DURCH DIE FIS GENEHMIGTE SPRUNGSCHANZE

SUB-COMMITTEE FOR JUMPING HILLS

CHAIRMAN:



Hans-Martin Renn